

Closet Essentials Basic Installation

For Your Safety:

Some assembly functions may require an additional person to hold the parts steady while they are being connected. It is a good idea to assemble with at least 2 people.

Be sure to adequately fasten the Closet Essentials units to a suitable wall. Failure to do so may result in personal injury.

Never allow anyone to climb on or hang from Closet Essentials units.

Whenever using tools, it is a good idea to wear safety glasses.

Closet Essentials are made to be used in the sizes ordered. If shelves or any other components are field cut for a more custom fit, it is the responsibility of the user to ensure that suitable connections can be made.

Closet Preparation:

Be sure to carefully measure and plan your closet. If you need help, refer to the Closet Essentials Design Guide (on the back of this sheet).

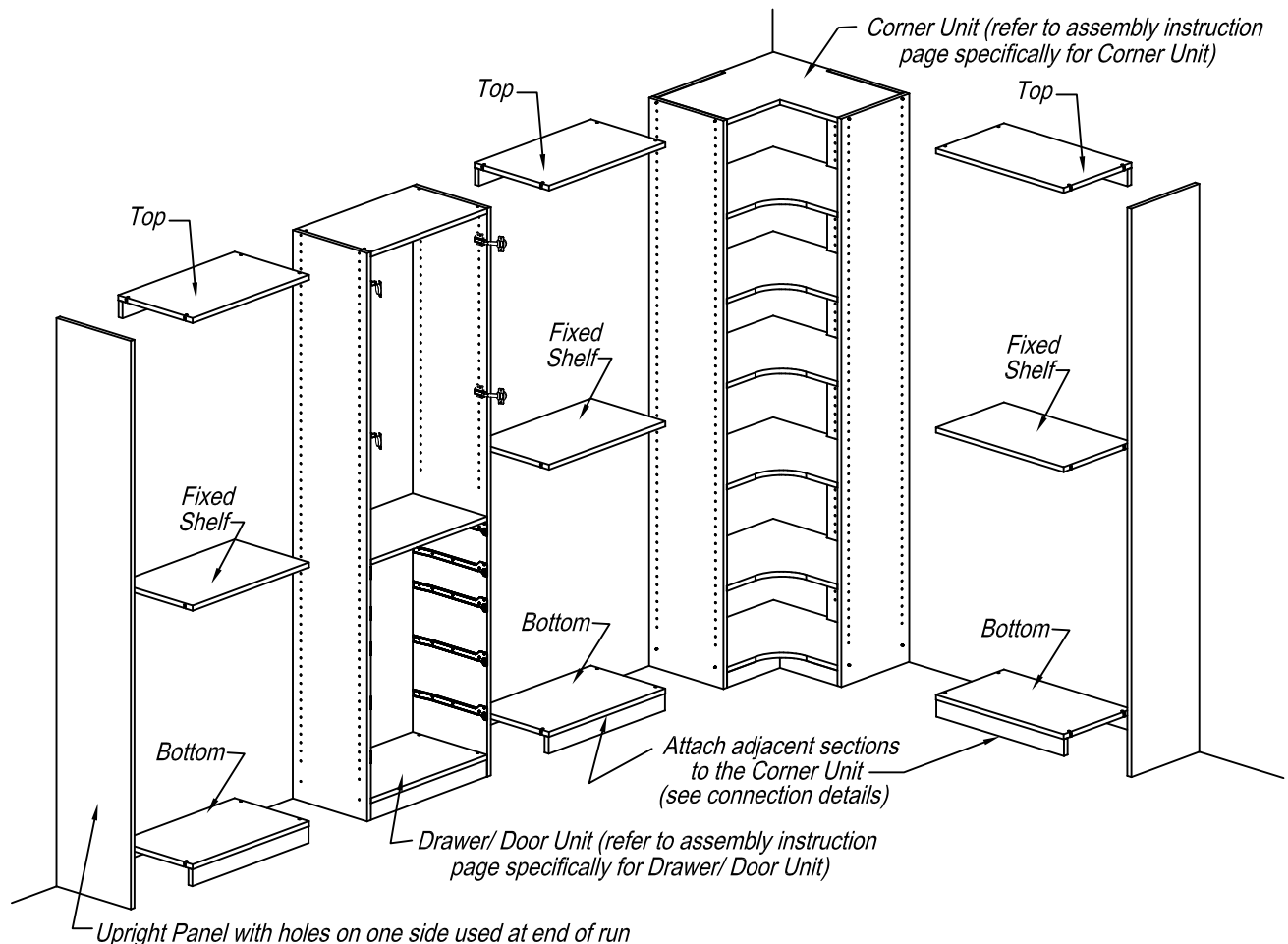
Remove base molding from areas where closet units will be against the wall. You may need to field cut and reinstall trim in areas next to the closet units.

Identify any areas of the closet that are not plumb, square or level as these areas may need shims (not provided) or other special measures.

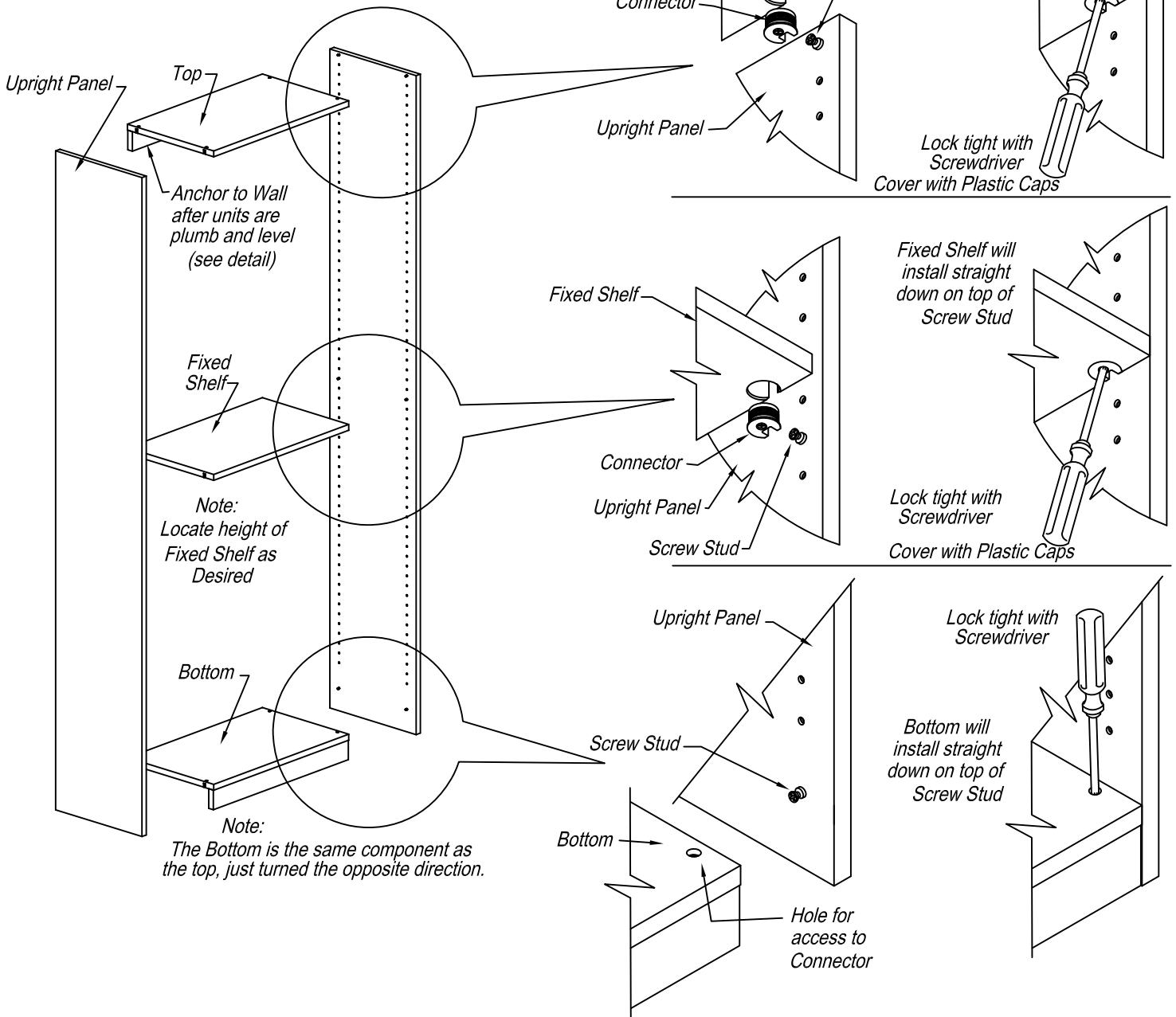
Getting Started

It is easiest to start in a corner of the closet where a corner unit will be. After the corner unit is assembled, the remaining sections can be added on to the corner unit.

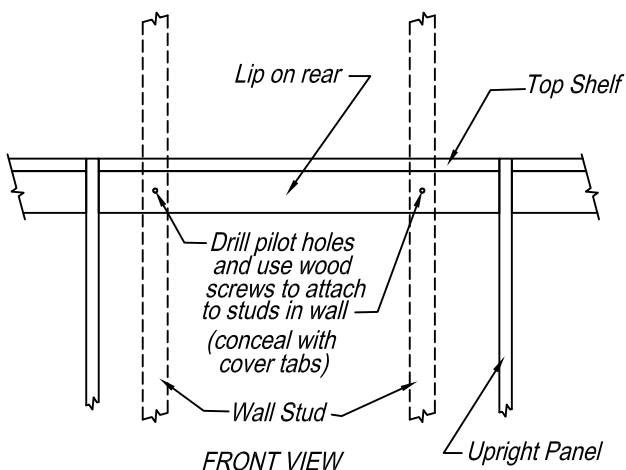
If a corner unit is not used in your closet design, start with a regular section that will be closest to the corner.



Connection Details



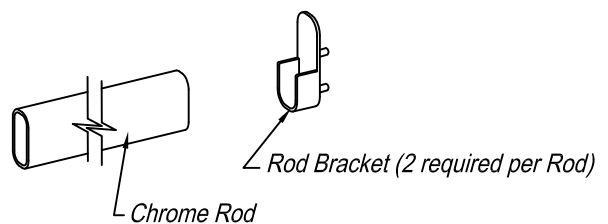
Anchor to Wall



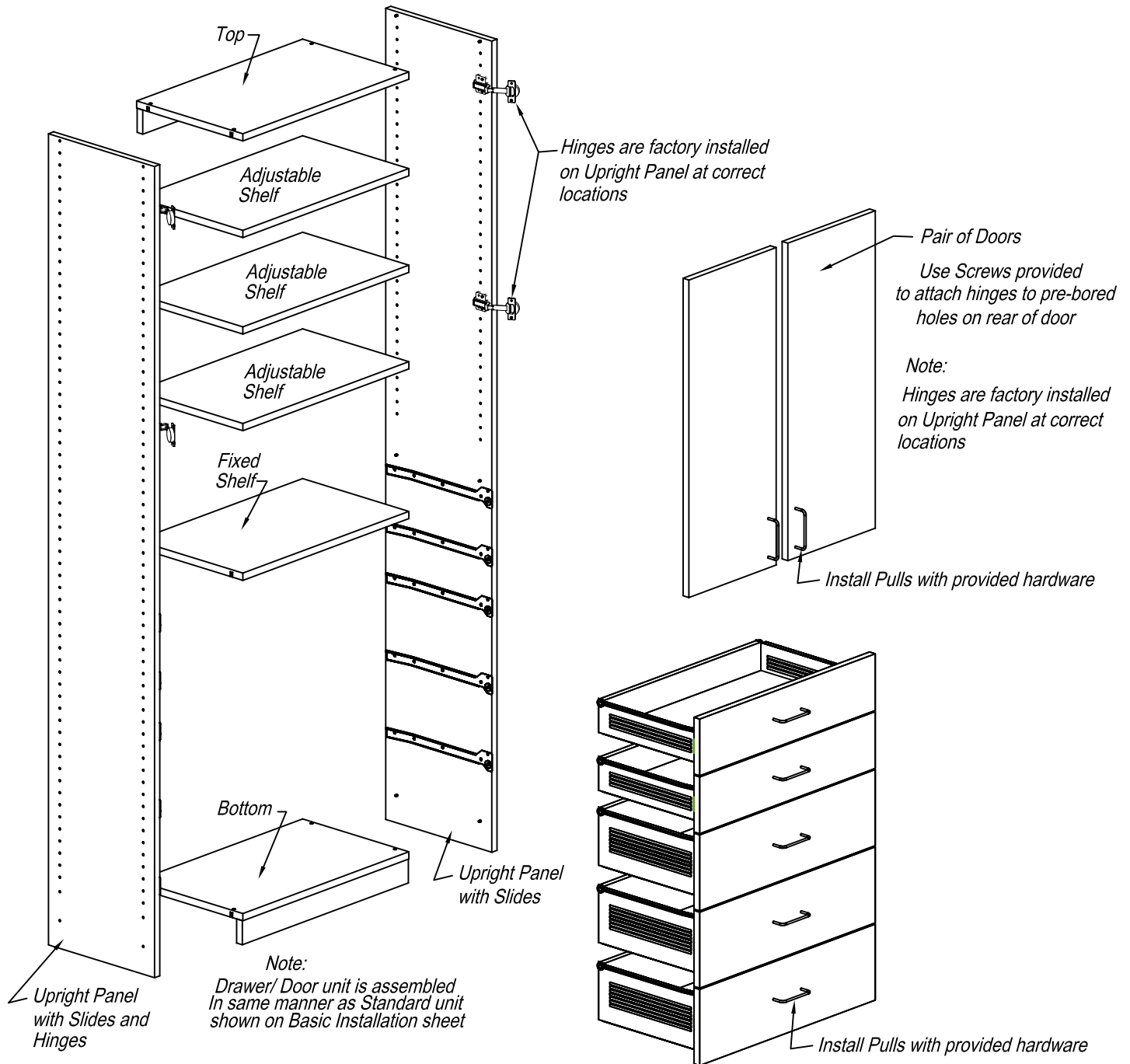
Add Accessories

Insert Shelf Pins at the desired height and place an Adjustable Shelf on top of the Shelf Pins.

Clothes Rods are installed by inserting the rod brackets into the holes of opposing Upright Panels at the desired height. The Rod is factory cut to fit and is simply inserted downward into the cup shape of the rod brackets



Closet Essentials Door/Drawer Unit Installation



For Your Safety:

Some assembly functions may require an additional person to hold the parts steady while they are being connected. It is a good idea to assemble with at least 2 people.

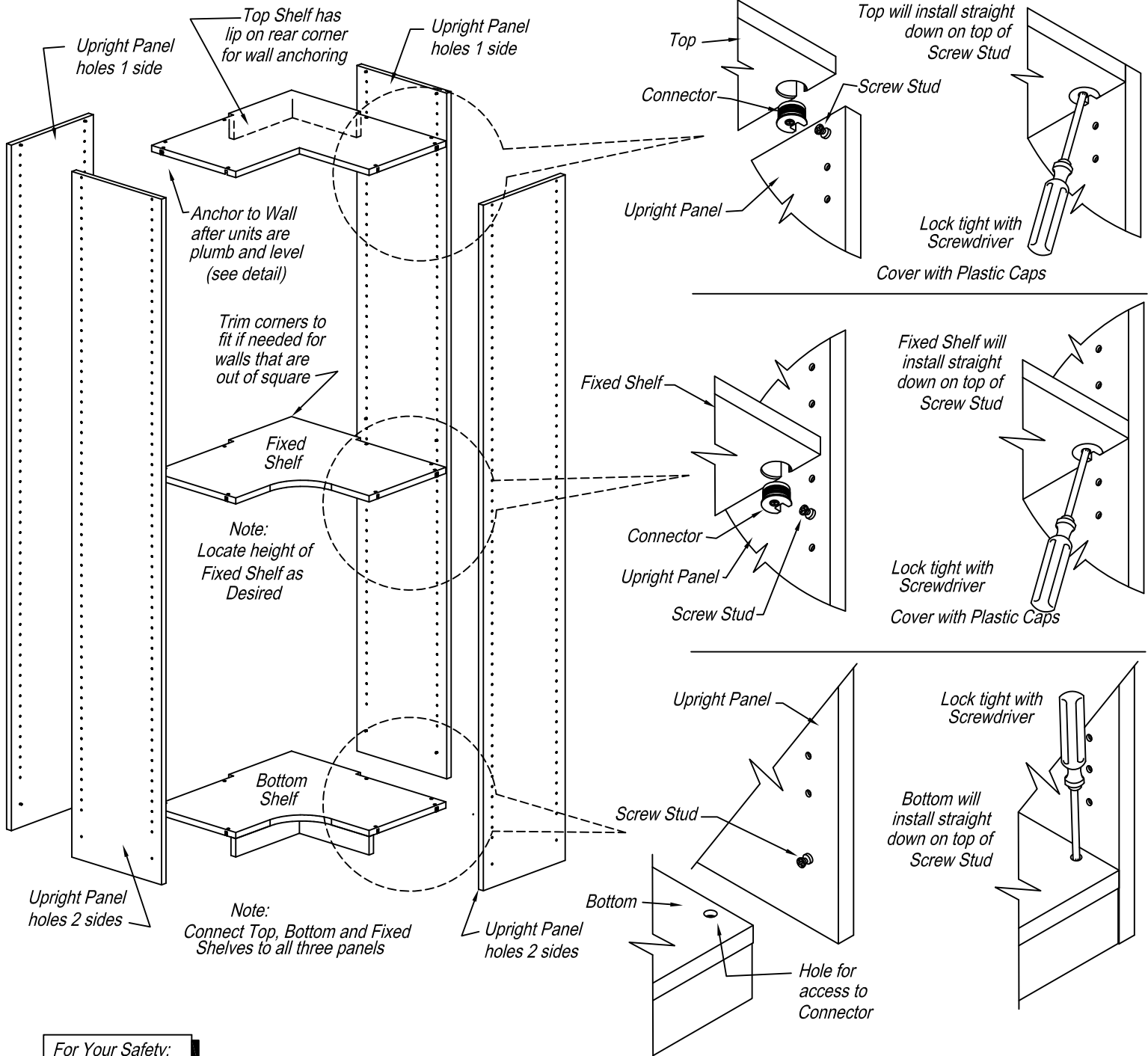
Be sure to adequately fasten the Closet Essentials units to a suitable wall. Failure to do so may result in personal injury.

Never allow anyone to climb on or hang from Closet Essentials units.

Whenever using tools, it is a good idea to wear safety glasses.

Closet Essentials are made to be used in the sizes ordered. If shelves or any other components are field cut for a more custom fit, it is the responsibility of the user to ensure that suitable connections can be made.

Closet Essentials Corner Unit Installation



For Your Safety:

Some assembly functions may require an additional person to hold the parts steady while they are being connected. It is a good idea to assemble with at least 2 people.

Be sure to adequately fasten the Closet Essentials units to a suitable wall. Failure to do so may result in personal injury.

Never allow anyone to climb on or hang from Closet Essentials units.

Whenever using tools, it is a good idea to wear safety glasses.

Closet Essentials are made to be used in the sizes ordered. If shelves or any other components are field cut for a more custom fit, it is the responsibility of the user to ensure that suitable connections can be made.